

BID ADDENDUM NO. 4

7/7/2022

Southeast Steuben County Library
Mary Lu Walker Children's Area Renovations
3140.004

The following Addendum items shall be considered a part of the contract documents prepared by HUNT ENGINEERS, ARCHITECTS, LAND SURVEYORS & LANDSCAPE ARCHITECT, DPC. Bid Document date of June 3rd, 2022

Clarifications issued by this Addendum

None

Project Manual Section issued by this Addendum:

10 11 00 – Visual Display Units

Drawings issued by this Addendum:

AD4-A1 – CIRCULATION DESK

Revisions to Project Manual issued by this Addendum:

ITEM AD4-1 Refer to Section 00 01 12 – Table of Contents

ADD Specification Section 10 11 00 – Visual Display Units as issued by this addendum.

ITEM AD4-2 Refer to Section 06 20 00 – Finish Carpentry

ADD Section 2.6 G to read:

“G. Steel Casework Foot

1. Size: 2” square with tapered leg
2. Height: 4”
3. Material: Steel
4. Finish: Powder-Coated, White
5. Load Rating: 150 lbs vertical load per leg”

ITEM AD4-3 Refer to Section 06 41 00 – Architectural Wood Casework

ADD Section 2.6 E 1 to read:

“1. Product: P605A0-BA-A manufactured by Liberty Hardware”

ITEM AD4-4 Refer to Section 06 41 00 – Architectural Wood Casework

AMEND Section 2.6 G to read:

“G. Cabinet Catches and Latches:

1. Type: Friction Catch
2. Manufacturers:
 - a. Knappe & Vogt Manufacturing Company: www.knappeandvogt.com”

Revisions to Drawings issued by this Addendum:

ITEM AD4-5 Refer to drawing A1.1 – FIRST FLOOR PLAN – AREA A

ADD General Note P to read “P. APPROXIMATE ROOF DECK ELEVATION ABOVE CHILDREN’S AREA IS ±16’-0””

ITEM AD4-6 Refer to drawing A4.1 – SECTIONS AND DETAILS

AMEND note on detail 2 to read “3” UPHOLSTERED CUSHION W/ EXTRA FIRM FOAM, UPHOLSTERY SIMILAR TO WOLF GORDON BELIZE”

ITEM AD4-7 Refer to drawing A4.1 – SECTIONS AND DETAILS

AMEND detail 4 with detail 1 on drawing AD4-A1 – CIRCULATION DESK as issued by this addendum.

ITEM AD4-8 Refer to drawing A4.1 – SECTIONS AND DETAILS

AMEND detail 5 with detail 2 on drawing AD4-A1 – CIRCULATION DESK as issued by this addendum.

ITEM AD4-9 Refer to drawing A4.1 – SECTIONS AND DETAILS

AMEND note on detail 7 to read “3” UPHOLSTERED CUSHION AFFIXED TO PLYWOOD BAKER W/ EXTRA FIRM FOAM; UPHOLSTERY SIMILAR TO WOLF GORDON BELIZE”

ITEM AD4-10 Refer to drawing A4.1 – SECTIONS AND DETAILS

AMEND note on detail 17 to read “3” UPHOLSTERED CUSHION W/ EXTRA FIRM FOAM; UPHOLSTERY SIMILAR TO WOLF GORDON BELIZE”

ITEM AD4-11 Refer to drawing A5.1 – INTERIOR ELEVATIONS AND DETAILS

AMEND CASEWORK SCHEDULE, item W3, model number to read “5462”

ITEM AD4-12 Refer to drawing A5.1 – INTERIOR ELEVATIONS AND DETAILS

AMEND CASEWORK SCHEDULE, item W3, model number to read “5464”

End of Addendum 4

ACKNOWLEDGMENT OF RECEIPT BY:

LEGAL NAME OF BIDDER: _____

BY (Signature & Title): _____

DATE: _____

THIS PAGE SHALL BE ATTACHED TO AND SUBMITTED WITH THE BID PROPOSAL.

SECTION 10 11 00
VISUAL DISPLAY UNITS

PART 1 GENERAL

1.1 SECTION INCLUDES

- A. Porcelain enamel steel markerboards.
- B. Tackable wall panels.

1.2 RELATED REQUIREMENTS

- A. Section 06 10 00 - Rough Carpentry: Blocking and supports.
- B. Section 09 21 16 - Gypsum Board Assemblies: Concealed supports in metal stud walls.
- C. Section 09 91 23 - Interior Painting: Finishing of wood frame and marker rail.

1.3 REFERENCE STANDARDS

- A. ANSI A135.4 - American National Standard for Basic Hardboard; 2012.
- B. ANSI A208.1 - American National Standard for Particleboard; 2016.
- C. ASTM A424/A424M - Standard Specification for Steel, Sheet, for Porcelain Enameling; 2018.
- D. ASTM C208 - Standard Specification for Cellulosic Fiber Insulating Board; 2012 (Reapproved 2017).
- E. ASTM C1396/C1396M - Standard Specification for Gypsum Board; 2017.
- F. ASTM E84 - Standard Test Method for Surface Burning Characteristics of Building Materials; 2019b.
- G. ASTM F793/F793M - Standard Classification of Wall Coverings by Use Characteristics; 2015.
- H. PS 1 - Structural Plywood; 2009.
- I. NFPA 701 - Standard Methods of Fire Tests for Flame Propagation of Textiles and Films.

1.4 SUBMITTALS

- A. See Section 01 30 00 - Administrative Requirements, for submittal procedures.
- B. Product Data: Provide manufacturer's data on markerboard, tackboard, tackboard surface covering, and accessories.
- C. Shop Drawings: Indicate wall elevations, dimensions, joint locations, special anchor details.
- D. Samples: Two, 2 by 2 inches in size illustrating materials and finish, color and texture of porcelain enamel steel markerboard and tackboard surfacing.
- E. Maintenance Data: Include data on regular cleaning, and stain removal .

1.5 QUALITY ASSURANCE

- A. Manufacturer Qualifications: Company specializing in manufacturing the products specified in this section with minimum three years documented experience.

1.6 WARRANTY

- A. See Section 01 78 00 - Closeout Submittals, for additional warranty requirements.
- B. Provide five year warranty for chalkboard and markerboard to include warranty against discoloration due to cleaning, crazing or cracking, and staining.

PART 2 PRODUCTS

2.1 MANUFACTURERS

- A. Claridge Products and Equipment, Inc: www.claridgeproducts.com/#sle.
- B. Polyvision Corporation: www.polyvision.com/#sle.
- C. Substitutions: See Section 01 60 00 - Product Requirements.

2.2 VISUAL DISPLAY UNITS

- A. Porcelain Enamel Steel Markerboards:
 - 1. Color: As selected from manufacturer's full range.
 - 2. Size: As indicated on drawings.
 - 3. Frame: Invisi-mount for floating appearance., with concealed fasteners.
 - 4. Frame Profile: Trim-less
 - 5. Accessories: Provide small plastic marker caddy w/ 8 marker capacity, magnetic eraser(MGM-ME1), dry-erase markers, cleaning instruction plate.
 - 6. Manufacturers:
 - a. Claridge Products and Equipment; LCS Select: www.claridgeproducts.com.
- B. Tackable Wall Panels: Fabric laminated to fiberboard; Factory-fabricated.
 - 1. Basis of Design: LCS Tack Walls, WW1F
 - 2. Fabric: Vinyl coated fabric.
 - 3. Color, Pattern, and Texture: As selected from manufacturer's full range.
 - 4. Backing: Fiber board, 1/2" inch thick, laminated to tack surface.
 - 5. Surface Burning Characteristics: Flame spread index of 25, maximum, and smoke developed index of 450, maximum, when tested in accordance with ASTM E84.
 - 6. Size: As indicated on drawings.
 - 7. Edge Treatment: Edge-Wrapped Fabric on duracore.
 - 8. Adhesives: Provide manufacturer's recommended adhesive, primer, and sealer, produced for use on substrate shown on drawings. Provide materials which are mildew-resistant and non staining to wallcovering.
 - 9. Manufacturers:
 - a. Claridge Products and Equipment; LCS Tack Walls, www.claridgeproducts.com.

2.3 MATERIALS

- A. Porcelain Enameled Steel Sheet: ASTM A424/A424M, Type I, Commercial Steel, with fired-on vitreous finish.
- B. Vinyl Coated Fabric: ASTM F793/F793M Category VI.
- C. Adhesives: Type used by manufacturer.

2.4 ACCESSORIES

- A. Temporary Protective Cover: Sheet polyethylene, 8 mil thick.

- B. Cleaning Instruction Plate: Provide instructions for markerboard cleaning on a metal plate fastened to perimeter frame near marker rail.
- C. Marker Caddy: Stadium Marker Caddy(MGM-MC1-S), Plastic, magnetic, with 8 marker capacity, 3 1/2"H, 3 1/8"W, 1 3/4"D.
- D. Additional Accessories: Dry-Erase Markers (LCS673-4) 6.5" x .75" dia, Magnetic Eraser (MGM-ME1) 4 1/2"W, 2 1/8"H, 7/8"D, (10) Rare Earth Magnets(MGM-REMSQ-G), .44" thick, rounded corners in gray, 1.29"x1.29".
- E. Mounting Brackets: Concealed.

PART 3 EXECUTION

3.1 EXAMINATION

- A. Verify that field measurements are as indicated.
- B. Verify that internal wall blocking is ready to receive work and positioning dimensions are as indicated on shop drawings.

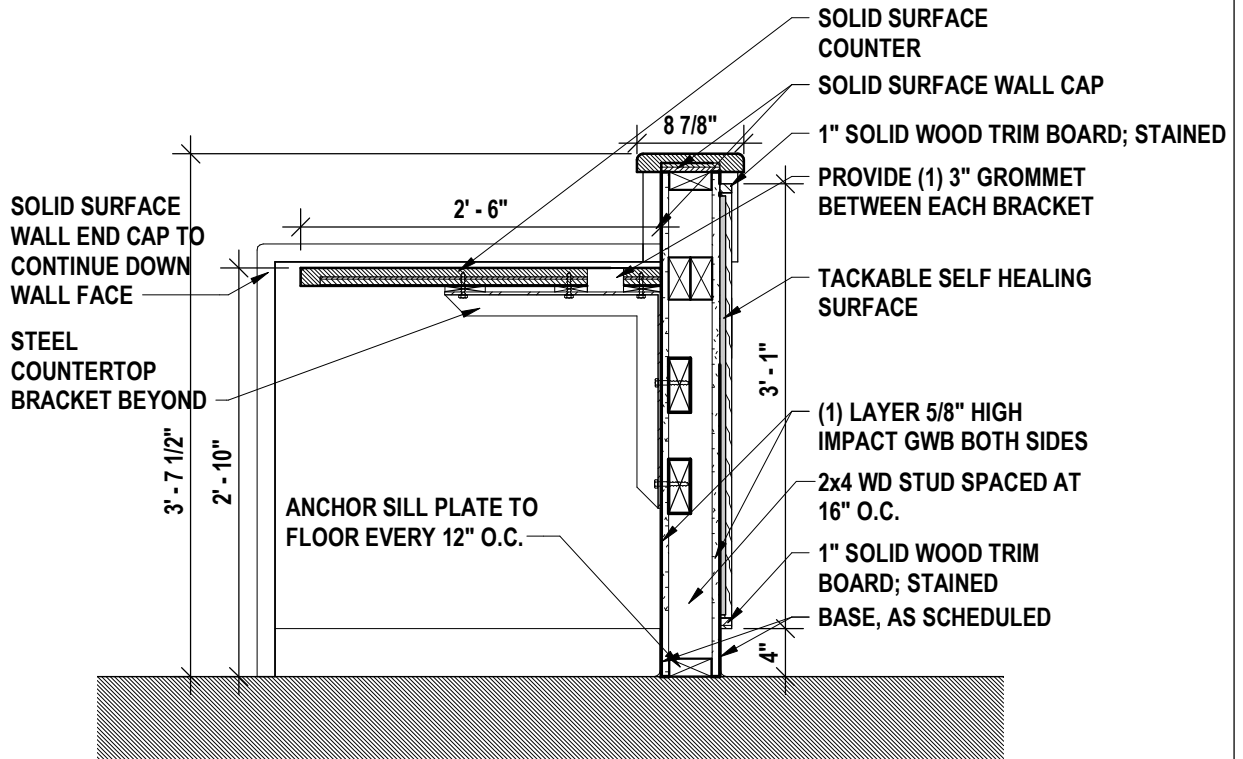
3.2 INSTALLATION

- A. Install boards in accordance with manufacturer's instructions.
- B. Secure units level and plumb.
- C. Butt Joints: Install with tight hairline joints.
- D. Carefully cut holes in boards for custom millwork..
- E. Install tackable wall panels in accordance with manufacturer's recommendations on specified substrates with concealed attachments.
 - 1. Fabricate re-wrapped edges where partial panels abut each other, or adjacent surfaces or trim.
 - 2. Re-wrap top, bottom or side edges for cutting panels around door or window openings, abutting trim, protruding objects, and at other openings, including x-cut at receptacles, light switches, and other openings.
 - a. Wrap minimum 2 inches around back of panel.

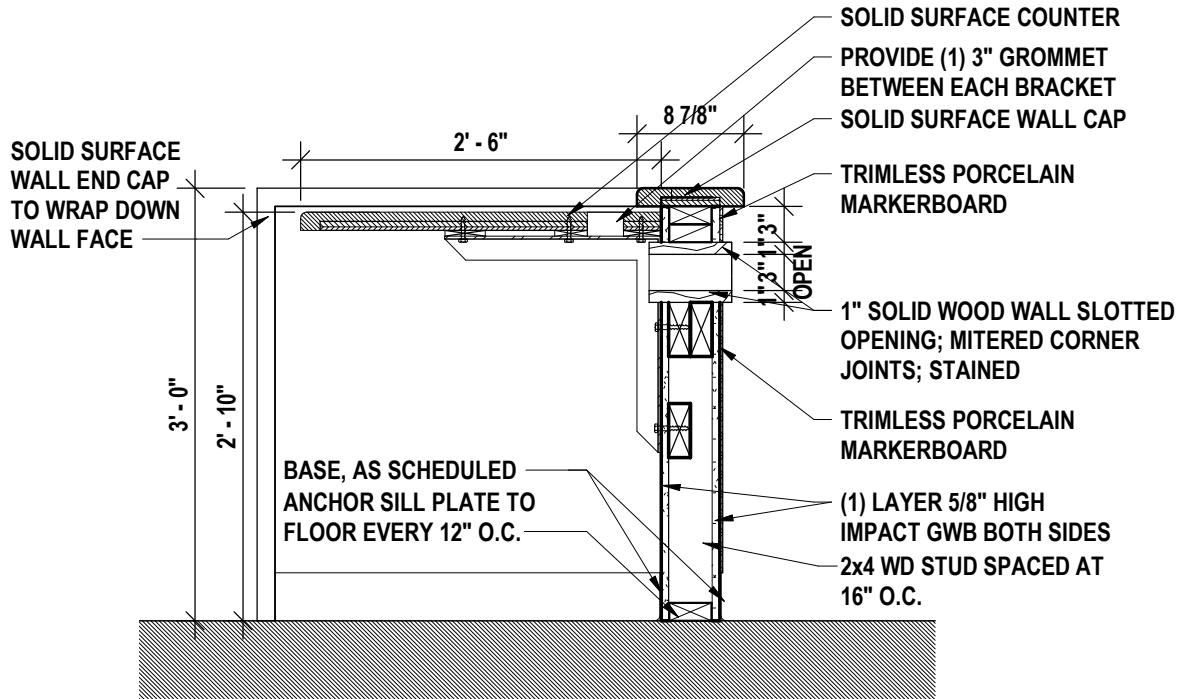
3.3 CLEANING

- A. Clean board surfaces in accordance with manufacturer's instructions.
- B. Cover with protective cover, taped to frame.
- C. Remove temporary protective cover at Date of Substantial Completion.

END OF SECTION



2 SECTION THROUGH CIRCULATION DESK - B
3/4" = 1'-0"



1 SECTION FROM CIRCULATION DESK - A
3/4" = 1'-0"

CIRCULATION DESK
MARY LU WALKER CHILDREN'S AREA RENOVATIONS
SOUTHEAST STEUBEN COUNTY LIBRARY
 300 NASSER CIVIC CENTER PLZ STE 101, CORNING, NY 14830

COPYRIGHT 2022

HUNT ENGINEERS | ARCHITECTS | SURVEYORS
 HORSEHEADS, NY 607 - 358 - 1000 ROCHESTER, NY 585 - 327 - 7949
 TOWANDA, PA 570 - 265 - 4868

AD4-A1

DATE:
07/06/22
 PROJECT NO:
3140.004