

**JANICE
M.
MILLER
ARCHITECT**

4357 JORDAN ROAD
SKANEATELES, NY
(315) 382-2924
jmillerarch@gmail.com

IT IS A VIOLATION OF THE NEW YORK STATE EDUCATION LAW FOR ANY PERSON, UNLESS ACTING UNDER THE DIRECTION OF A LICENSED PROFESSIONAL ARCHITECT TO ALTER AN ITEM ON THIS DOCUMENT IN ANY WAY.

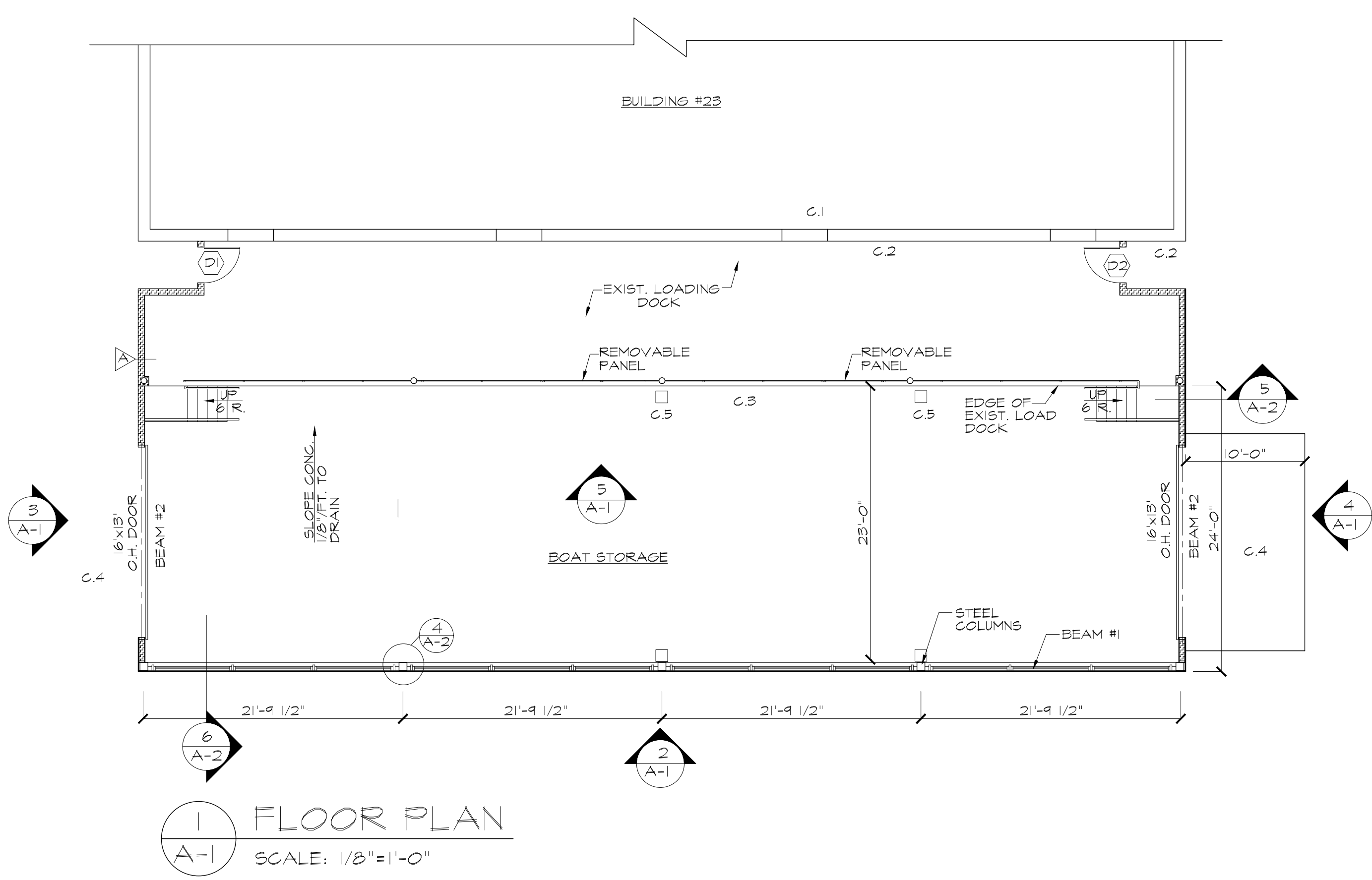
DATE: 6/22/22

PROJECT FOR:
FINGERLAKES BOATING MUSEUM
PLEASANT VALLEY ROAD
HAMMONDSPORT, NY

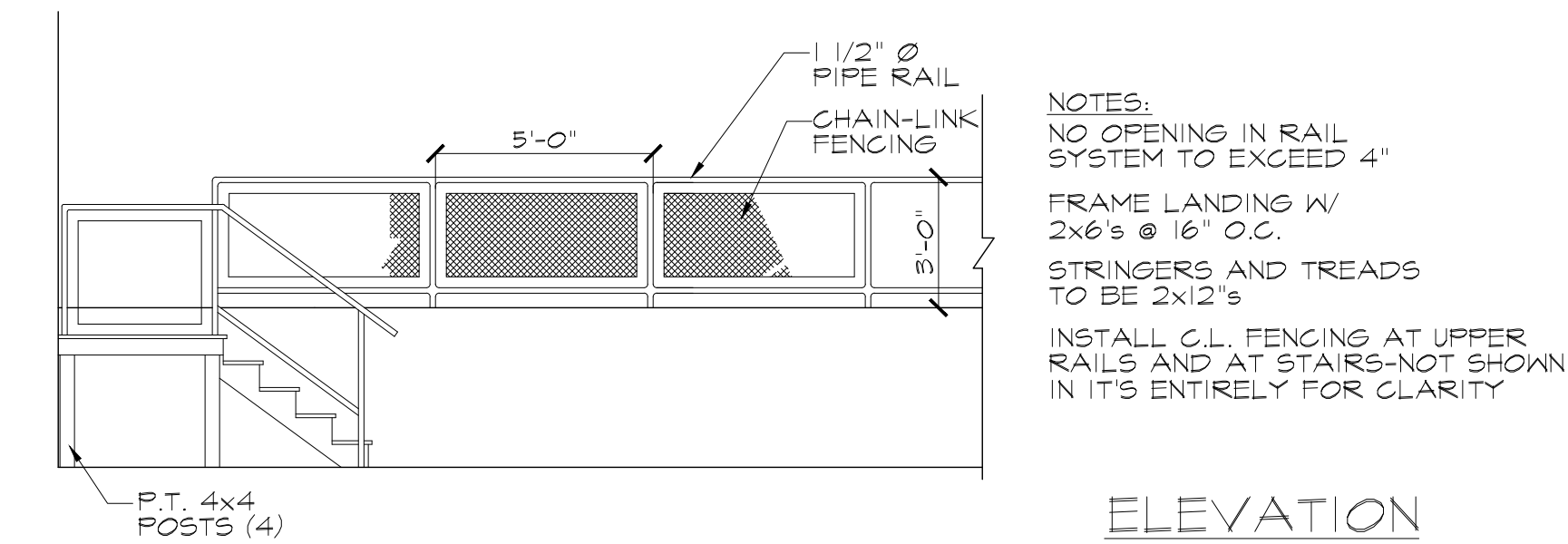
SHEET TITLE:
FLOOR PLAN
ELEVATIONS
DETAILS

PROJECT NUMBER:
022-05

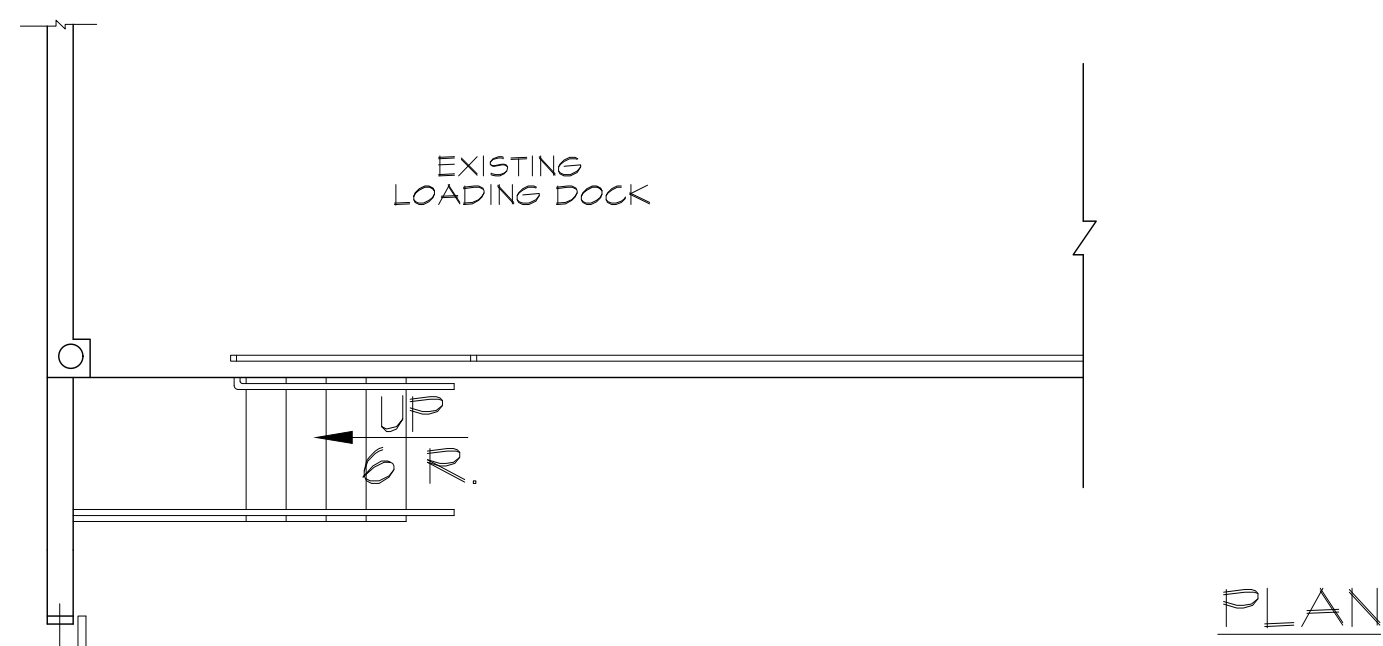
SHEET NUMBER:
A=1



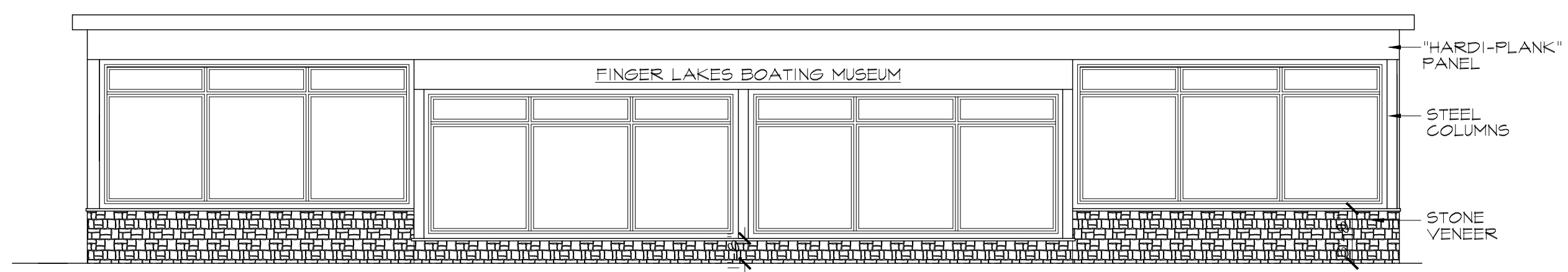
- DEMOLITION NOTES:**
- D.1 REMOVE EXISTING PIPE RAILS AT EA. END
 - D.2 SAW CUT ASPHALT PAVEMENT AT BUILDING FOOTPRINT, AND AT CONCRETE RAMP, AND REMOVE. FINAL FINISH FLOOR TO MATCH EXISTING ELEVATION. TAKE EXTREME CARE NOT TO DAMAGE EXISTING TRENCH DRAIN TO REMAIN
- CONSTRUCTION NOTES:**
- C.1 INFILL EXISTING (4) WINDOWS SEE DETAIL 6/A-1
 - C.2 PAINT EXISTING INTERIOR AND EXTERIOR WALLS TO MATCH NEW FINISHES
 - C.3 INSTALL NEW GALVANIZED-SLOTTED COVER OVER EXISTING TRENCH DRAIN
 - C.4 CONCRETE RAMP, SLOPE FROM BUILDING 1/8"/FT'. INSTALL ON 4" COMPACTED GRAVEL. AT BOTH OVERHEAD DOORS
 - C.5 SEE SHEET A-0 FOR GANTRY LIFT DETAILS PRICE AS AN ALTERNATE
- BEAMS:**
- BEAM #1- W6x24-SEE 6/A-2
 - BEAM #2- (3) 2x12'S PROVIDE 3" BEARING EACH SIDE



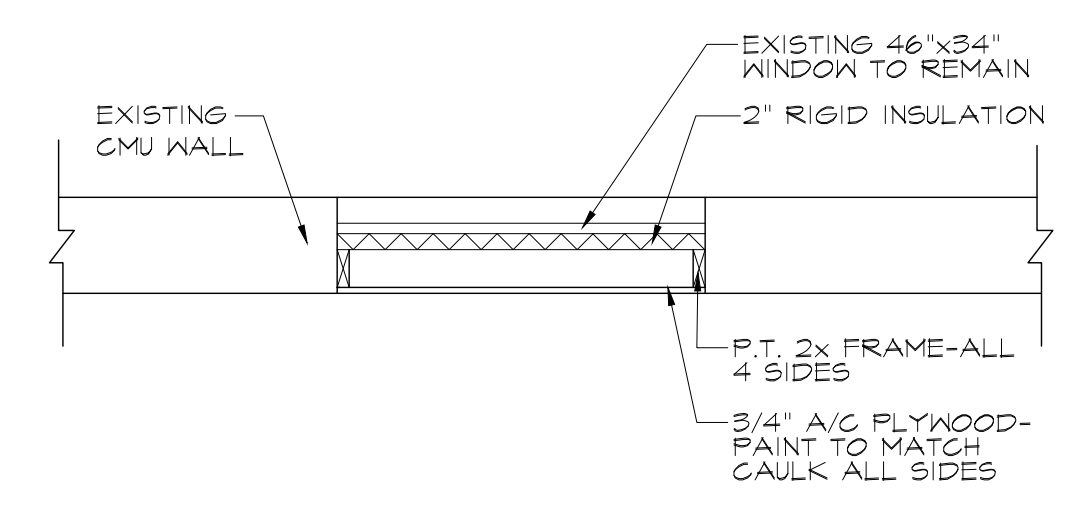
NOTES:
NO OPENING IN RAIL SYSTEM TO EXCEED 4"
FRAME LANDING W/ 2x6'S @ 16" O.C.
STRINGERS AND TREADS TO BE 2x12'S
INSTALL C.L. FENCING AT UPPER RAILS AND AT STAIRS-NOT SHOWN IN ITS ENTIRELY FOR CLARITY



5 PLAN/ELEVATION @ STAIR
SCALE: 1/4"=1'-0"



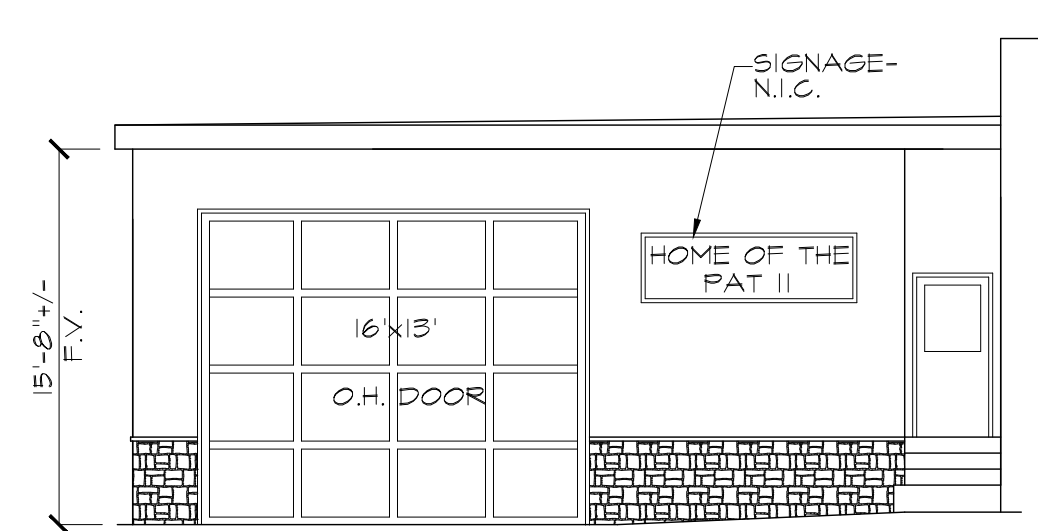
2 FRONT ELEVATION
SCALE: 1/8"=1'-0"



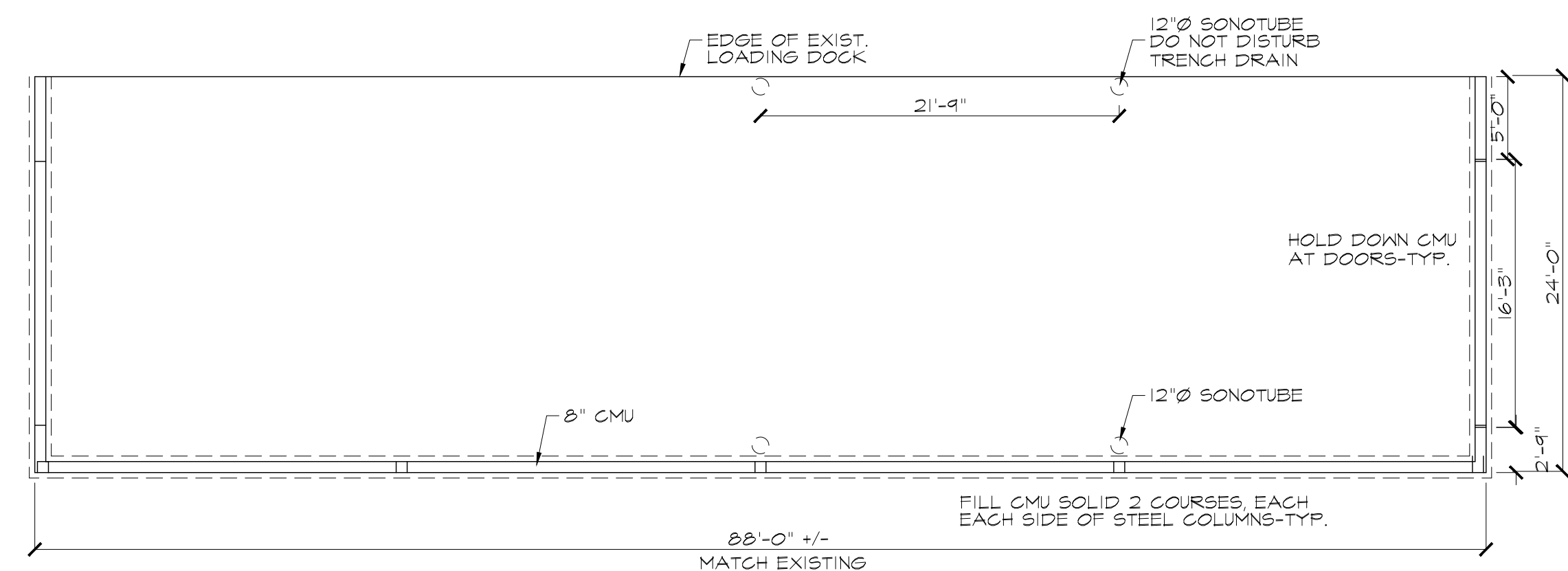
6 DETAIL @ EX. WINDOWS
SCALE: 1/2"=1'-0"



3 SIDE ELEVATION
SCALE: 1/8"=1'-0"



4 SIDE ELEVATION
SCALE: 1/8"=1'-0"



7 FOUNDATION PLAN
SCALE: 1/8"=1'-0"